

EN

Skylux® iDome™

Mounting instructions


SKYLUX
Hello daylight!

Table of contents

CARE AND CLEANING	p. 2
GENERAL	p. 2
INCLINATION OF THE DOME CURB	p. 2
MOUNTING OF THE CURB	p. 2
MOUNTING OF THE FRAME	p. 3
MOUNTING OF THE DOME	p. 4
PRECAUTIONS	p. 4
FIXING	p. 4
FIXATION OF THE DOME CAP	p. 4

Care and cleaning

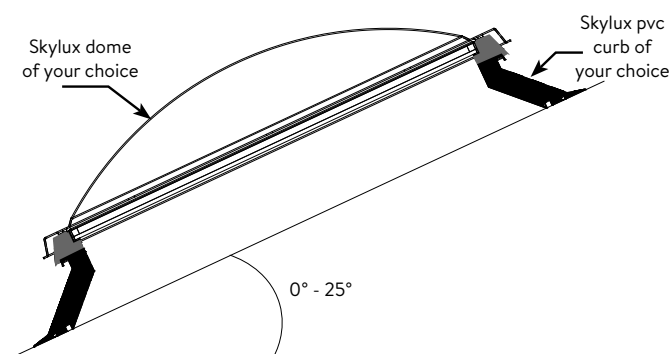
- Check the fixings and the sealing tape and silicone joints once a year.
- Do not clean or touch the domes with products aggressive to acrylic or polycarbonate, such as silicone, wood protectors, adhesives, unsuited sealing tapes, chemical fumes...
- Remove tar stains with turpentine only and rinse well with plenty of pure water.
- Wipe off with mild soapy water (no abrasives) and always rinse well with plenty of pure water.
- Scratches: contact your supplier for a suitable polishing cream.
- Clean the PVC curb with PVC cleaner.
- Never spray any insecticide on the dome.
- Check the tension of the dome caps.

General

Before starting the installation or maintenance of your Skylux iDome, please respect all necessary safety precautions. A Skylux iDome must be installed by a professional.
Declaration of performance Dop 001DoP2016-03 via www.skylux.be.

Inclination of dome curb

The Skylux iDome must be installed with an inclination angle between 0° and 25°
These values must be respected by the roof inclination or by the installation of the curb.



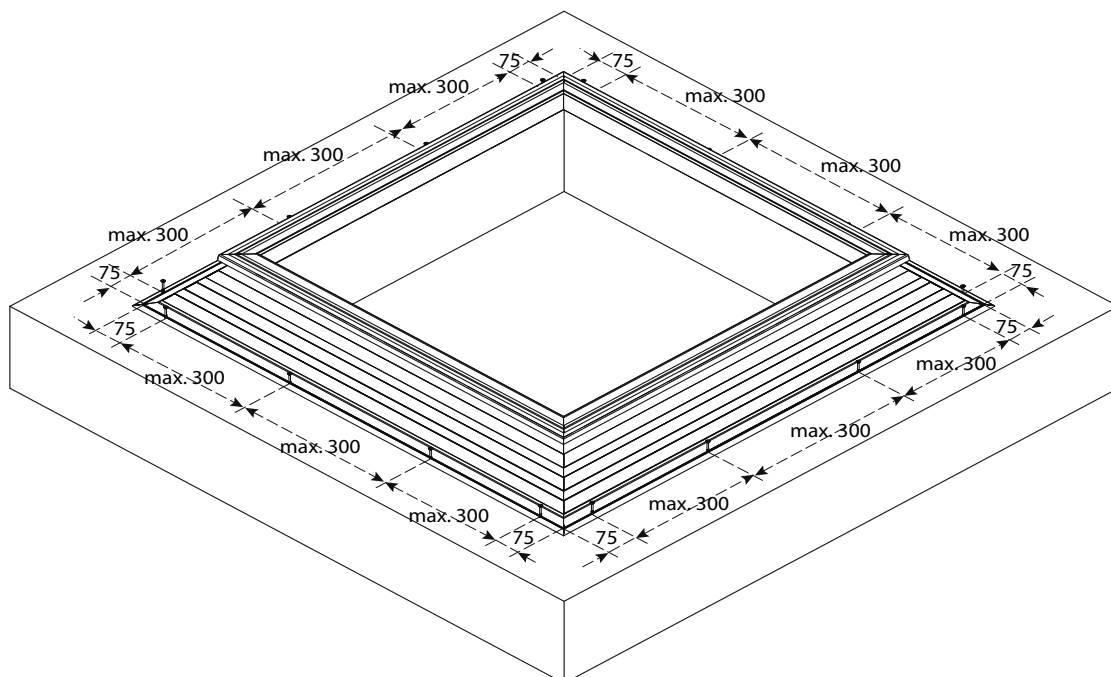
Mounting of the curb

The Skylux iDome must always be combined with a Skylux curb.
We definitely advise against using another type of curb since the rooflight is no longer covered by the guarantee.

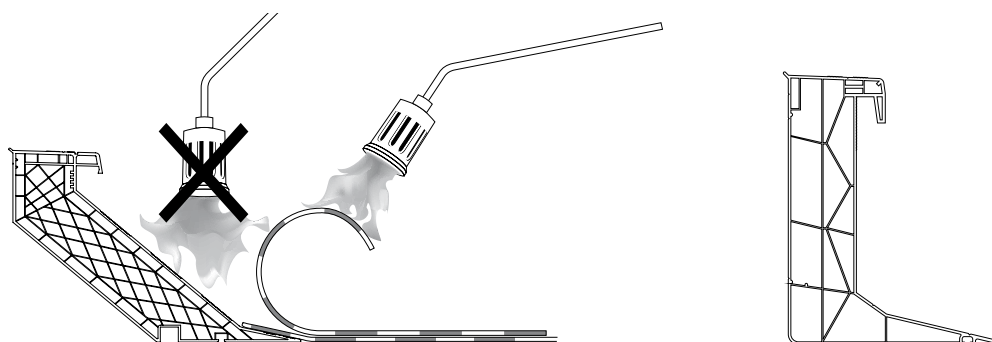
Pvc curb

Curb: model 16/00, model 16/20 EP, model 20/00 EP, model 30/20 and model 35/30.

Screw the curb on the roof construction through the indication line of the flange (timber screws 5,2 x 60 mm or metal screws 4,8 x 60 mm). Start at 7,5 cm from the ends. The axis distance to the other screws must not exceed 30 cm.

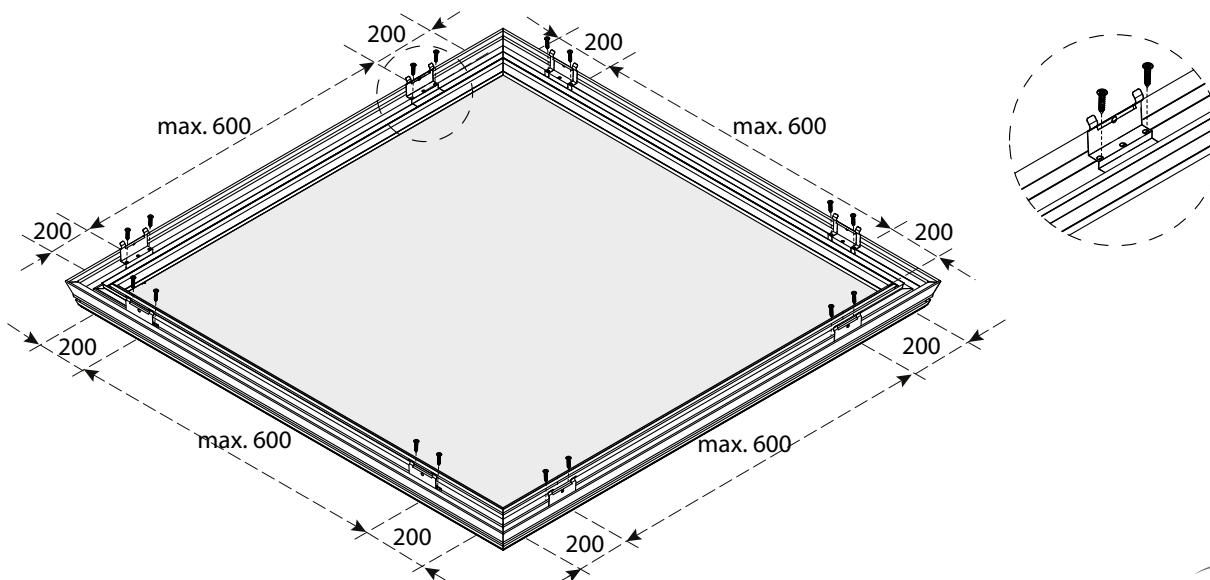


Pull up the roofing underneath the top flange. Should you wish to fix the PVC curb 16/00 directly on the roof, please take away the lip at the bottom of the curb with a special bracket cutter. We refer to the regulations of the roof cover manufacturer for all the types of roofing.

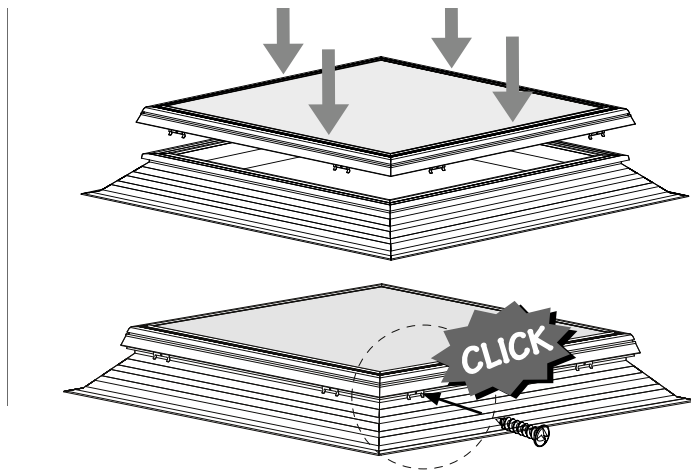


Mounting of the frame

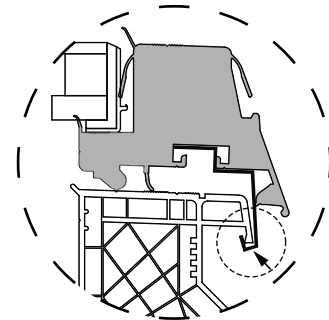
Open up the packing and leave the frame upside down. Screw the clips pieces at the bottom of the frame with the delivered stainless steel screws. Start at 20 cm from the ends with an axis-distance of maximum 60 cm for installation on pvc curbs 16/20 EP, 20/00 EP or 35/30. For installation on pvc curbs 16/00 or 30/20, you need to order separately a special mounting set with clips and screws. Installation analogue to the standard set with clips and screws (art.nr. 41.682: set with 4 clips).



Turn around the complete system and put it above the curb! Make sure the clips, the complete system of window and glass, are not directly placed on the roof covering or underground (to avoid damage on the roof covering or clips). Present the frame on the curb and divide the play equally over the 4 sides of the curb. Simply push the frame over the curb to clips the the frame on the curb.



Please check if all clips pieces have been clamped behind the lip of the curb.



For extra reinforcement, screw the clips through the curb with delivered (one-way) screws.

Mounting of the dome

Precautions

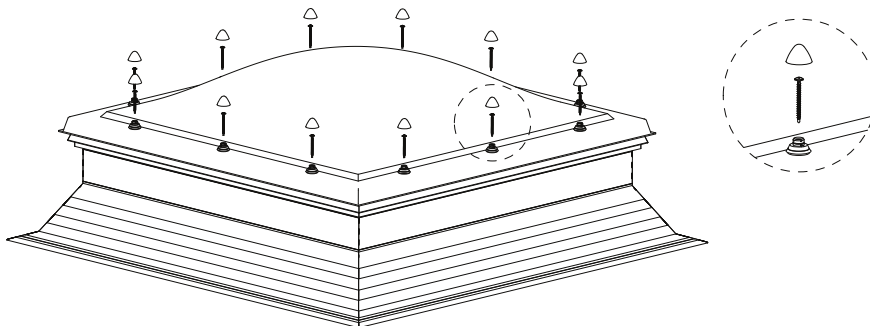
The Skylux iDome must always be combined with a Skylux dome.

Clean the glass of the installed frame thoroughly with water and mild soap. Always remove the sticker and/or foil.

Respect the installation instructions of the Skylux dome; included in each delivery.

Fixing

Only use the delivered universal stainless selfperforating one-way screws. Fix the dome on the frame. Divide the clearance over the 4 sides of the dome. Screw the universal stainless selfperforating one way screws of the dome in the frame. Screw the one way screws cross-wise and equally; do not overtight. Never use silicone or polyurethane as sealant between the dome and the frame or curb. Check if the screws and nuts are tightened.



Fixation of the dome cap

When installing a polycarbonate dome, you can reinforce its burglarproof protection by the metal caps over the one-way screws. The dome cap is put on the nut and prepared for final clip position by twisting at half a turn. In this position, the cap is firmly fixed and protected from rain on the nut, but one can still remove the cap of the nut.

If the cap is being clipped into a further position, the cap cannot be removed any more.

